

2" "Swing-Chek" ESVs for Bulk Plants

Especially designed for installation in liquid transfer lines at LP-Gas or anhydrous ammonia bulk plants to provide for quick shut-off of liquid or vapor flow in the event of an accidental pull-away or hose rupture.



Part Number	For Use Only With:	Inlet and Outlet Connections	Liquid Flow Capacity at 10 PSIG Pressure Drop (GPM)
6016	LP-Gas	2" F. NPT	475 (LP-Gas)
AA6016	NH ₃		427 (NH ₃)

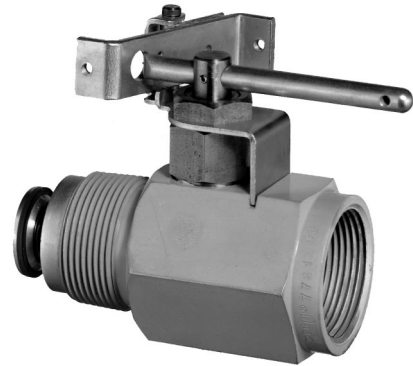
Pneumatic Accessories

Part Number	Description
6016-60D	Pneumatic Remote Release Kit
6016-60C	Pneumatic Remote Open/Close Actuator



1 1/4" ESV for LP-Gas Bulk Plants

Especially designed for installation in vapor transfer lines at LP-Gas bulk plants to provide for quick shut-off of vapor or liquid flow in the event of an accidental pull-away or hose rupture, both of which can cause a fire.



Part Number	For Use With:	Inlet Connection M. NPT	Outlet Connection F. NPT	Flow Capacity	
				Vapor At 100 PSIG and 10 PSIG Pressure Drop SCFH	Liquid At 10 PSIG Pressure Drop GPM
A7781AF	LP-Gas	1 1/4"	1 1/4"	26,000	55

7781AFPN-1 Pneumatic Conversion Kit for 7781AF ESV

Retrofit conversion kit with components necessary to add pneumatic closing capability to the 1 1/4" ESV. Includes pneumatic cylinder, bracket, striker plate and machine screws.

Part Number	Description
7781AFPN-1	Cylinder assembly kit to convert 7781AF ESVs to pneumatic shutdown.



ESV Pneumatic Controls

RegO® Emergency Shut-Off Valves modified for remote pneumatic shutdown operation retain all the operating features of the standard valves. Once equipped with pneumatic cylinders and then pressurized, the pneumatic cylinder piston rod disengages from a striker plate, allowing the ESV to be manually opened and the striker plate to act as a latch and hold the valve open. Release of the control system pressure for any reason closes the ESV for fail-safe operation.

Features

Convenience

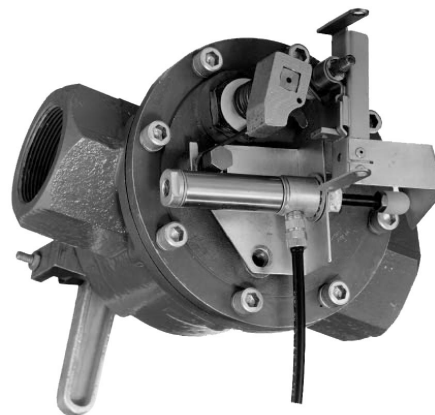
- Closes the liquid and vapor ESV from a convenient remote location.
- Independent closed loop system allows the ESV to be pneumatically charged, but opened or closed manually or with cable controls to conserve pressurized gas.

Reliability

- Independent closed loop system will continue to hold pressure and close ESV in an emergency - even if supply pressure is cut off.

Security

- Any loss of pressure from the control line, such as accidents or the line melting from fire, automatically shuts down the liquid and vapor ESV.
- ESV must be reset after automatic shutdown.



7605APN-1 Pneumatic Conversion Kit for 7605B and A7605B ESV

Retrofit conversion kit with components necessary to add pneumatic closing capability to the 2" ESV. Includes pneumatic cylinder, bracket, fuse release assembly and machine screws.



7781AFPN-1 Pneumatic Conversion Kit for 7781AF ESV

Retrofit conversion kit with components necessary to add pneumatic closing capability to the 1 1/4" ESV. Includes pneumatic cylinder, bracket, striker plate and machine screws.



7605PN-50 Pneumatic Remote Control Kit

Control kit with components for connecting and charging the pneumatic controls from a source of compressed gas (air or nitrogen) to a RegO® liquid or vapor ESV. Includes charging valves with low pressure indicator, operating valves, 100 feet of 1/4" plastic tubing and tube fittings.

Part Number	Description
7781AFPN-1	Cylinder assembly kit to convert 7781AF ESVs to pneumatic shutdown.
7605APN-1	Cylinder assembly kit to convert 7605B ESVs to pneumatic shutdown.
7605PN-50	Pneumatic remote shutdown system kit, complete with 100' of tubing, fittings, 1 charging valve assembly and 1 remote shutdown valve assembly.
125V-3-10-21	Extra shutdown valve assembly.
RSA-PTSAE	100' roll of 1/4" pneumatic tubing.
RSA-87244DOT	1/4" tubing tee, w/nuts.
RSA-86842DOT	1/8" NPT x 1/4" tubing, straight connector.