

IMPORTANT INFORMATION: Product must be installed and used in strict conformance with NFPA Pamphlet 58 and/or NFPA Pamphlet 54 and all other codes, regulations and manufacturer recommendations.

Failure to follow these codes, regulations and recommendations could result in hazardous installation, bodily injury and/or death.

PRODUCT TRAINING SCHOOLS AVAILABLE. Contact a GEC customer service representative for more information.

WARNING: LP Gas is extremely flammable and explosive. Devices used for handling LP Gas and Anhydrous Ammonia must be installed and used in strict conformance with NFPA pamphlet 58 and 54 and all other codes, regulations and manufacturer recommendations.

Fork Lift Truck Cylinders

Steel Fork Lift Truck Cylinders

Standard cylinder fitted with liquid service valve, relief valve, float gauge, 20% outage valve. Filler valve and safety coupling installed.

Part #	Size	Description
CYL5560	20 lb.	Forklift cylinder
CYL5580	33 1/2 lb.	Forklift cylinder w/fill valve & safety coupling
CYL5595	43 1/2 lb.	



Aluminum Fork Lift Truck Cylinders

Standard cylinder fitted with liquid service valve, relief valve, float gauge, 20% outage valve. Filler valve and safety coupling installed.

Part #	Size	Description
CYL9315	33 1/2 lb.	Aluminum forklift cylinder w/fill valve & safety coupling
CYL9161	43 1/2 lb.	



Portable DOT Cylinders

Steel Portable DOT Cylinders

Part #	Size	Description
CYL4.25DOTOPD	4 1/4 lb.	Cylinder w/OPD valve
CYL5-OPD	5 lb.	Cylinder w/OPD valve
CYL10-OPD-T	10 lb.	Tall cylinder w/OPD valve
CYL11-OPD-S	11 lb.	"Squatty" cylinder w/OPD valve
CYL11-OPD-T	11 lb.	Tall cylinder w/OPD valve
CYL20-OPD	20 lb.	Cylinder w/OPD valve
CYL30-OPD	30 lb.	
CYL40-OPD	40 lb.	
CYL43-2	43 lb.	Cylinder w/o OPD valve
CYL50-2	50 lb.	Cylinder w/o OPD valve
CYL60-2	60 lb.	
CYL100-5	100 lb.	
CYL100-7	100 lb.	Cylinder w/8555D 11.6 valve
CYL200	200 lb.	DOT cylinder
CYL420	420 lb.	



CYL11DOT-OPD-S



CYL4.25DOTOPD



CYL5-OPD



CYL11DOT-OPD-T



CYL20-OPD



CYL50-2



CYL100-5

Aluminum Portable DOT Cylinders

Part #	Size	Description
CYL9060	20 lb.	Cylinder w/OPD
CYL9150	30 lb.	Cylinder w/OPD
CYL40-A	40 lb.	Cylinder w/OPD



Composite Portable DOT Cylinders

Part #	Size	Description
CYL20-LC	20 lb.	Beechwood Color Cylinder w/OPD
CYL33-LC	33 lb.	Parchment Color Forklift Cylinder



Horizontal & Vapor Buffer Cylinders

Steel Horizontal Cylinders

Includes front & rear mounting bracket.

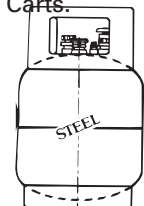
Part #	Size	Description
CYL30 DOTHOR	30 lb.	Cylinder w/OPD valve & gauge



Vapor Buffer Cylinders

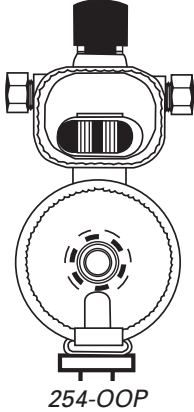
Standard valves include Vapor Service Valve, Universal Float Gauge, & 10% Valve. For use in applications such as Stand-Up Trucks, Floor Buffers, Scrubbers, & Golf Carts.

Part #	Size	Description
CYL5456	20 lb.	Steel buffer cylinder
CYL9285		Aluminum buffer cylinder



Automatic Changeover Regulator

Part #	Description	Connection	
		Inlet	Outlet
254-OOP	Changeover Regulator UL Listed For RV Applications	1/4" Female Inverted Flare	3/8" F.P.T.



Tank Evacuation Fitting

Part #	Description	Connection
G-1850	Tank Evacuation Fitting	Female 1 5/16" ACME x No Thread



Retro-Q Adapter

Converts POL cylinder valves to 1 5/16" ACME.

Part #	Description	Connection
G-1899P	Retro-Q-Adapter	MPOL x 1 5/16" ACME



QCC Adapter

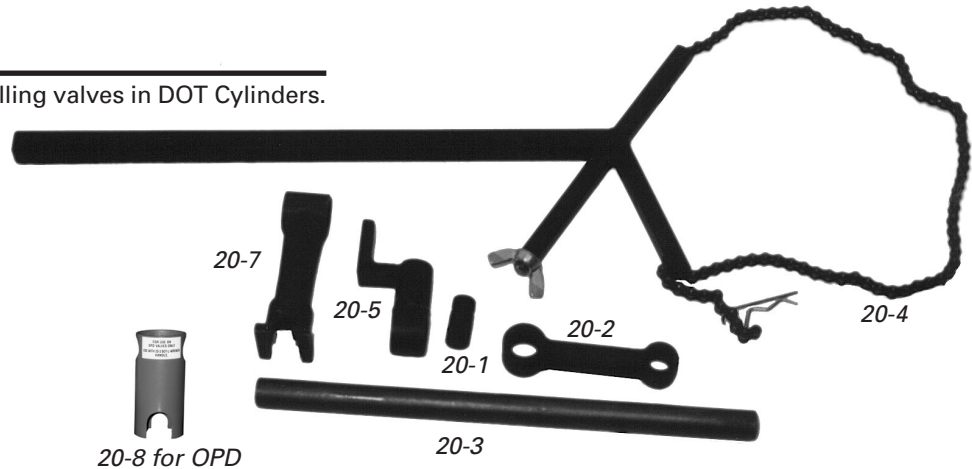
Part #	Description	Connection
G-1851	QCC Adapter 35 SCFH/70,000 BTU/Hr Max	Female 1 5/16" ACME x 1/4" MPT
G-1851-A03	145 SCFH/200,000 BTU/Hr Max	Female 1 5/16" ACME x 1/4" MPT



Bot-L-Rench

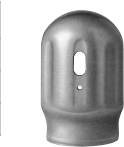
Special tools for removing or installing valves in DOT Cylinders.

Part #	Description
20-1	POL Plug for removing cylinder valves
20-2	Wrench for POL plug to remove cylinder valves
20-3	Handle
20-4	Chain vise assembly
20-5	Plumbers pot valve wrench
20-7	Combo valve wrench for removing lift truck & QCC type valves
20-8	Wrench for OPD cylinder valve



Cylinder Caps & Collars

Part #	Description
CYLCAP-312	3 1/2" for 100 lb.
CYLCOL	Collar ring 3 1/2"
CYLCAP-318	3 1/8" for 100 lb.



CYLCAP-312
or
CYLCAP-318



CYLCOL

Lift Truck Cylinder Brackets

Part #	Description
TB-2	Horizontal 33 1/2 lb. & 43 1/2 lb. bracket
TB-3	Vertical 20 lb. bracket
TB2-60	Toggle latch assembly for TB2
TB-28	Vertical 33 1/2 lb. bracket



Cylinder Storage Cabinets

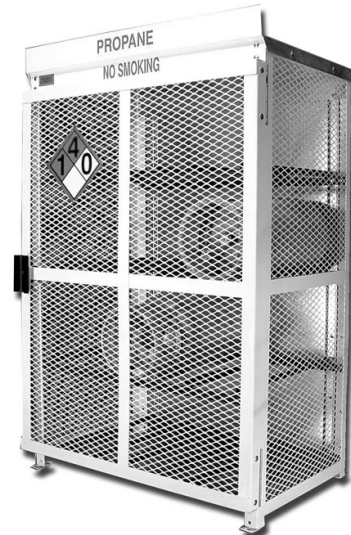
- Tamper resistant welded frame.
- Shelving versatility.
Can be arranged to store either 20# cylinders or 33.5# forklift cylinders.
- Lockable door.
- Dipped galvanized coating.

Cabinets

Part #	Description	Capacity	# of Shelves	Cabinet Size			Shipping Weight/lbs.
				W	D	H	
FH09302MSA	33.5# Forklift Cylinder Cabinets	9	3	44	30	53	170
FH12302LSA		12	4			68	219
FH16402LDA		16		58		273	
LB12302MSA	20# Cylinder Cabinets	12	2	44	30	53	179
LB18302LSA		18	3			68	233



FH09302MSA



FH12302LSA



LB12302MSA



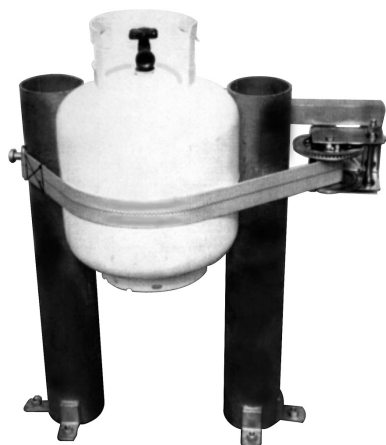
LB18302LSA

Cylinder Clincher

Features

- One-person operation
- Immobilizes cylinders completely with no slipping
- Galvanized for rust protection
- Provides a simple method of holding a cylinder container

Part #	Description
CYL CLINCHER	Cylinder clincher; to hold cylinders in place



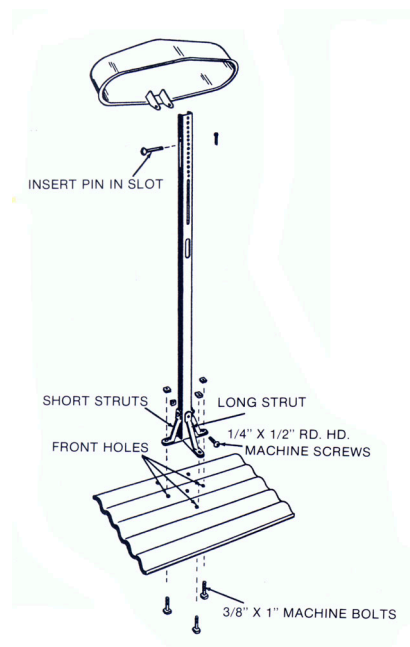
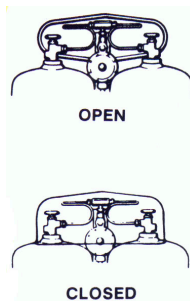
Propane Cylinder Housing

A two cylinder housing for small and medium size regulators. Consists of hood, post, base and necessary fasteners. Assures quick trouble free servicing in all kinds of weather.

Features

- **ALUMINUM HOOD**-PROTECTS your REGULATORS from the weather. Attractive, die-formed, heavy gauge, rust proof aluminum.
- **GALVANIZED BASE**-EXTENDS CYLINDER LIFE. Rainwater drains away from the cylinder to minimize rust. The heavy gauge, corrugated, galvanized steel provides a clean solid footing for the cylinder.
- **GALVANIZED**-reinforced post and foot are EASY TO ASSEMBLE to the base and hood hinge.

Part #	Description
B-476	Base ONLY
C-2A-P	Hood & post assembly



E-Z Stamp

Stamps the date clearly as required by DOT regulations. Takes less than 30 seconds to stamp complete date on a cylinder. Dies are $\frac{3}{8}$ " square and print $\frac{1}{4}$ " characters. Requires only 60 psi air pressure for operation. Comes with Steel Stamp Set 0-9 and letter "E" & $\frac{1}{4}$ " figures.

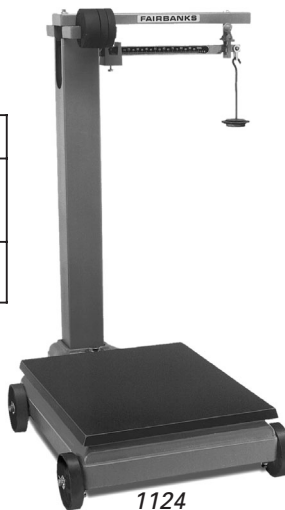
Part #	Description
EZ STAMP	Date stamped
06091	Steel stamp set 0-9
"E"	Letter "E"



Beam Scales

Portable Beam Scales for Cylinder filling operations. The Fairbanks Portable Beam Scale & the Detecto Bench Beam Scale are constructed to meet all requirements of Handbook 44, issued by the National Institute of Standards & Technology.

Part #	Description	Size	Capacity	Weight
1124	Portable platform scale - single beam	Platform - 17 ³ / ₄ " x 23 ¹ / ₂ " Base - 21" x 36" Overheight - 43"	1,000 lbs.	165 lbs
4420	Bench beam scale	Platform - 13 ³ / ₄ " x 18 x ¹ / ₂ " Height - 29 ⁵ / ₈ "	400 lbs.	48 ¹ / ₂ lbs.



1124
Fairbanks Portable Beam Scale



4420
Detecto Bench Beam Scale