

HYDRIVE SERIES

HYDRAULIC COOLERS

Unique Design

Compact size allows for easy installation on tractors and trucks with minimal space on chassis rails. The compact design with a low noise level centrifugal fan provides maximum performance and heat dissipation up to 13.5 HP (10kW) on 2010 models and 26 HP (20kW) on 2020 models.

Built for Performance

Constructed from stainless steel materials to withstand the harsh environmental and operation conditions. The light weight cooler with a small hydraulic oil reservoir, reduces the concern and hazard of costly spills.

Maintenance Friendly

The easy to read restriction gauge mounted on the front of the Hydrive indicates when the spin-on oil filter should be replaced. Normal hydraulic oil maintenance is made easy with the reservoir drain on the Hydrive tank.

Options and Accessories

- Complete Systems Package
- Hydraulic Motor Adapters



Hydrive 2010

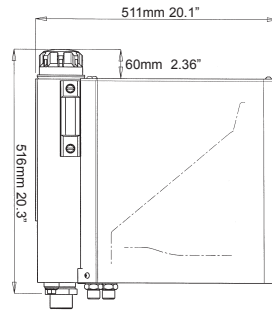


Hydrive 2020

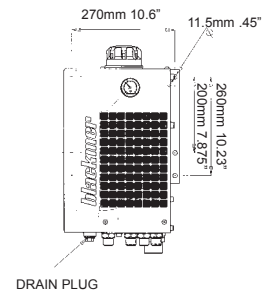
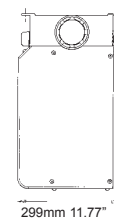
HYDRIVE SERIES

Hydrive 2010

Operations Parameters		
Oil Flow Rate	15-26 US GPM	55-100 l/min
Circuit Pressure	750-4400 PSI	50-300 BAR
Fan Speed	2800 RPM	
Return Pressure	15-75 PSI	1-5 BAR
Heat Dissipation	13.5 HP for 70°F Temp. Rise	10 kW for 40°C Temp. Rise
Fan Motor Flow	2.2 US GPM	8.8 l/min
Weight (dry)	53 lbs	24 kg
Oil Tank Capacity	2.5 US Gallons	10 Liters

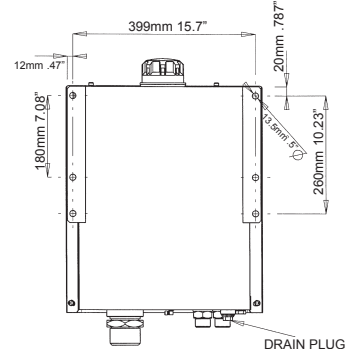
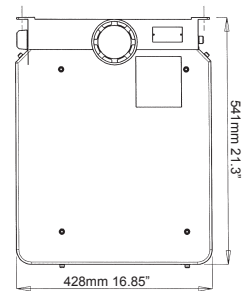
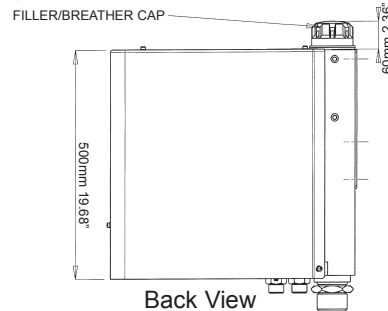


ALTERNATIVE POSITION FOR OIL SIGHT GLASS



Hydrive 2020

Operations Parameters		
Oil Flow Rate	15-50 US GPM	55-190 l/min
Circuit Pressure	750-4400 PSI	50-300 BAR
Fan Speed	2800 RPM	
Return Pressure	15-75 PSI	1-5 BAR
Heat Dissipation	26 HP for 70°F Temp. Rise	20 kW for 40°C Temp. Rise
Fan Motor Flow	2.2 US GPM	8.8 l/min
Weight (dry)	77 lbs	35 kg
Oil Tank Capacity	4.5 US Gallons	17 Liters



Sales Information and Equipment Application Assistance

Blackmer has a world wide distribution network to assist you in specifying any of our family of pumps, compressors and other equipment for your application.

For more information or to find the distributor nearest to you, please contact us at the telephone, fax or internet address listed below.

blackmer
A DOVER COMPANY
PEOPLE PROVIDING FLOW TECHNOLOGY WORLDWIDE™

Distributed By:

